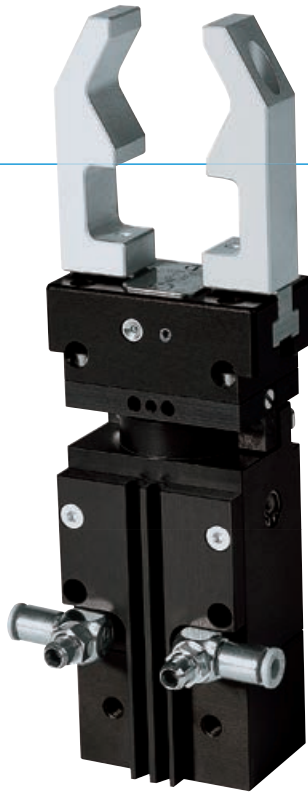


2-JAW PARALLEL ROTARY GRIPPERS

SERIES DGP400

▶ PRODUCT ADVANTAGES



SOMMER
automatic **S**

“TWO in ONE”

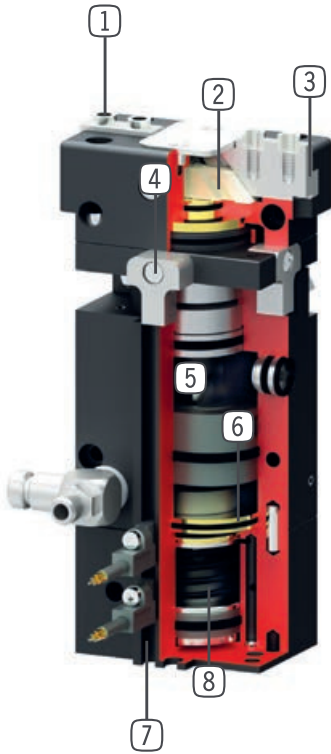
- ▶ **Proven T slot guide**
This established and proven guiding technology stands for the highest process reliability like no other
- ▶ **2 in 1**
Gripping and swivelling in a module allows optimum utilisation of the installation space
- ▶ **Individually adjustable**
How you stay flexible: 90° or 180° swivel angle - You decide what your application requires on site

▶ THE BEST PRODUCT FOR YOUR APPLICATION



- ▶ **Our products love the challenge!**
Extreme conditions, all over the world—our tried and tested components and systems give you limitless possibilities:
Find the best product for your specific use:
www.zimmer-group.de

► BENEFITS IN DETAIL



- ① **Removable centering sleeves**
- quick and economical positioning of the gripper fingers
- ② **Wedge hook mechanism**
- synchronized the movement of the gripper jaws
- ③ **Precise T-Slot guide**
- high forces and moments capacity
- ④ **Endposition 0/90/180° adjustment**
- endstops for 0°/90°/180° included with purchase
- ⑤ **Rotating-drive mechanism**
- robust, wear-resistant
- ⑥ **Drive**
- two double-acting pneumatic cylinders
- ⑦ **Slot for magnetic field sensor**
- sensing of the rotational position and gripper jaw position
- ⑧ **Integrated gripping force safety device**
- optional via integrated spring (C or O models)

► FURTHER INFORMATION IS AVAILABLE ONLINE



► Technical Information

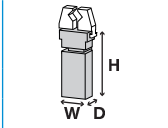
All information just a click away at: www.zimmer-group.de
Find data, illustrations, 3D models and Installation instructions for your installation size using the order number for your desired product.
Quick, clear and always current.



2-JAW PARALLEL ROTARY GRIPPERS

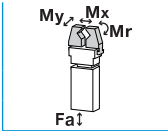
SERIES DGP400

Installation Size: DGP404



Dimension

Width [mm]	Height* [mm]	Depth [mm]
50	110	32



Force and moment

Mr [Nm]	Mx [Nm]	My [Nm]	Fa [N]
8	15	10	300

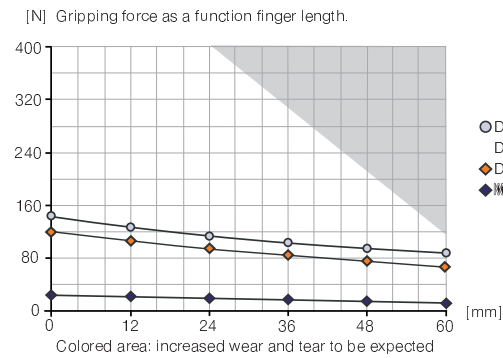
Technical Data*

Order no.	Gripping			Torque [Nm]	rotate		General		Weight [kg]
	Stroke per jaw [mm]	Gripping force [N]			Bearing load		Operating pressure [bar]		
		closing	opening		axial [N]	radial [Nm]	min.	max.	
DGP404N	4	115	115	0.5	960	10	3	8	0.44
DGP404NC	4	155		0.5	960	10	5	8	0.48
DGP404NO	4		155	0.5	960	10	5	8	0.48

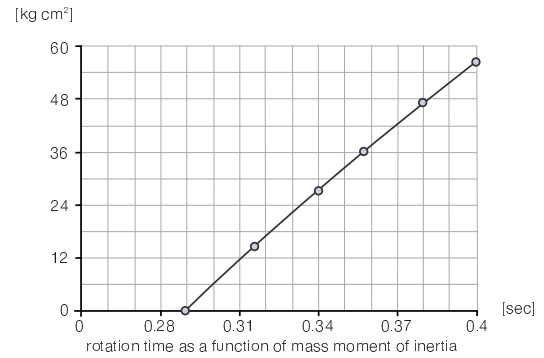
*All data measured at 6 bar

** Version with gripping force protection (NC, SC, NO, SO)

Gripping force diagram



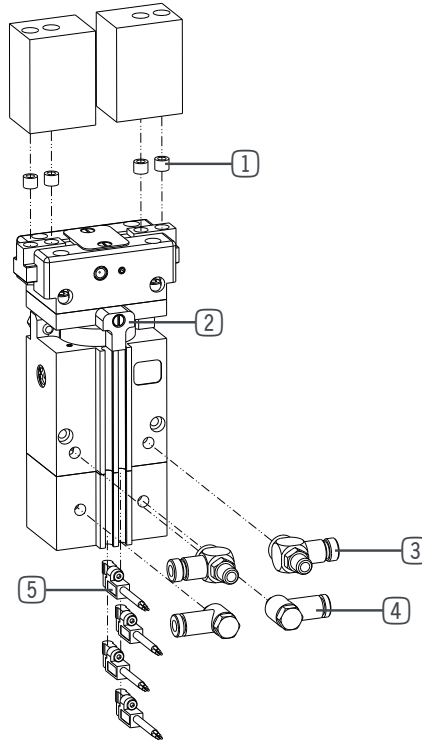
Rotation time diagram



2-JAW PARALLEL ROTARY GRIPPERS

SERIES DGP400

► ACCESSORIES



► Installation Size: DGP404

Pos.	Accessories	Order no.
④	Straight Fittings - Quick Connect Style	GVM5
⑤	Magnetic field sensor Angled Cable 5 m	MFS103KHC
⑤	Magnetic field sensor Angled Cable 0,3 m - Connector M8	MFS103SKHC
⑤	Magnetic field sensor Straight Cable 5 m	MFS204KHC
⑤	Magnetic field sensor Straight Cable 0,3 m - Connector M8	MFS204SKHC
Accessories		Order no.
①	Centering Disc	BDST40400
②	Stop 90° + 180°	ANS0065
③	Flow Control Valves - with Swivel joint	DRVM5X4