

2-JAW ANGULAR ROTARY GRIPPERS

SERIES DGK

▶ PRODUCT ADVANTAGES



“TWO in ONE”

▶ Smooth stroke configuration

You can adjust the 180° opening angle to be unique to your application using an adjusting screw

▶ 2 in 1

Gripping and swivelling in a module allows optimum utilisation of the installation space

▶ Individually adjustable

How you stay flexible: 90° or 180° swivel angle - You decide what your application requires on site

▶ THE BEST PRODUCT FOR YOUR APPLICATION



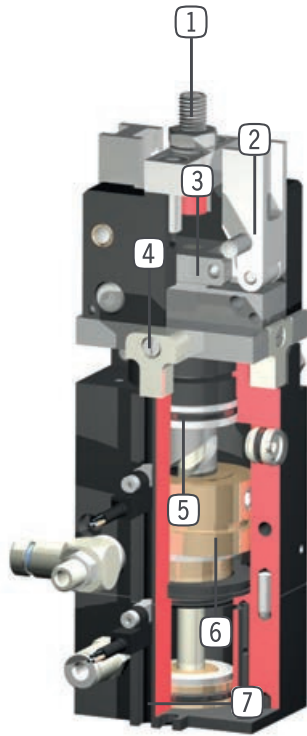
▶ Our products love the challenge!

Extreme conditions, all over the world—our tried and tested components and systems give you limitless possibilities:

Find the best product for your specific use:

www.zimmer-group.de

► BENEFITS IN DETAIL



- ① **Stroke adjustment screw**
 - Infinitely adjustable opening stroke
- ② **Gripper jaw**
 - individual gripper finger mounting
- ③ **Wedge hook mechanism**
 - synchronized the movement of the gripper jaws
 - mechanically self-locking
- ④ **Endposition 0°/90°/180° adjustment**
 - endstops for 0°/90°/180° included with purchase
- ⑤ **Rotating-drive mechanism**
 - robust, wear-resistant
- ⑥ **Drive**
 - two double-acting pneumatic cylinders
- ⑦ **Slot for magnetic field sensor**
 - sensing of the rotational position and gripper jaw position

► FURTHER INFORMATION IS AVAILABLE ONLINE



► Technical Information

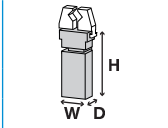
All information just a click away at: www.zimmer-group.de
 Find data, illustrations, 3D models and Installation instructions for your installation size using the order number for your desired product.
 Quick, clear and always current.



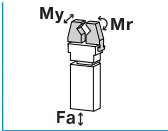
2-JAW ANGULAR ROTARY GRIPPERS

SERIES DGK

Installation Size: DGK20



Dimension		
Width [mm]	Height [mm]	Depth [mm]
42	127	32



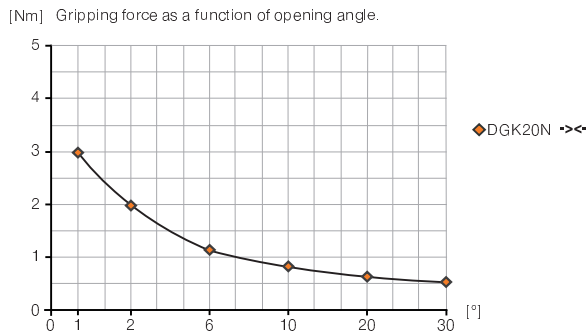
Force and moment		
Mr [Nm]	My [Nm]	Fa [N]
0.8	1	150

Technical Data*

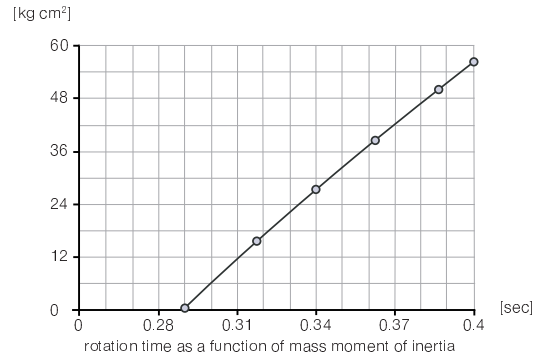
Order no.	Gripping		rotate			General		Weight [kg]
	Stroke per jaw [°]	Gripping moment in closing [Nm]	Gripping force in closing [N]	Torque [Nm]	Bearing load		Operating pressure [bar]	
DGK20N	90	3	150	0.5	axial [N]	radial [Nm]	min.	max.
					960	10	3	8

*All data measured at 6 bar

Gripping moment diagram



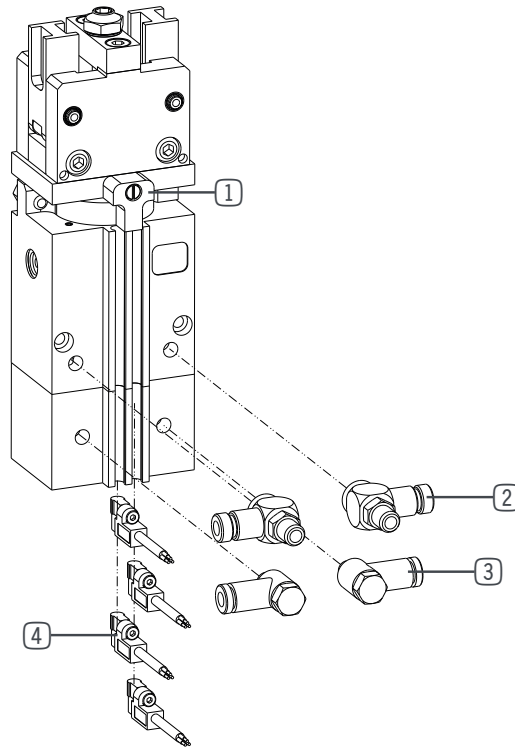
Rotation time diagram



2-JAW ANGULAR ROTARY GRIPPERS

SERIES DGK

► ACCESSORIES



► Installation Size: DGK20

Pos.	Accessories	Order no.
③	Straight Fittings - Quick Connect Style	GVM5
④	Magnetic field sensor Angled Cable 5 m	MFS103KHC
④	Magnetic field sensor Angled Cable 0,3 m - Connector M8	MFS103SKHC
④	Magnetic field sensor Straight Cable 5 m	MFS204KHC
④	Magnetic field sensor Straight Cable 0,3 m - Connector M8	MFS204SKHC
Accessories		Order no.
①	Stop 90° + 180°	ANS0065
②	Flow Control Valves - with Swivel joint	DRVM5X4