

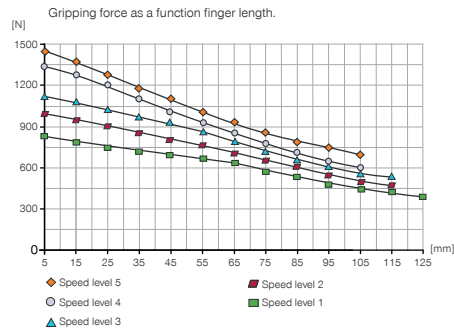
3-JAW CONCENTRIC GRIPPERS

INSTALLATION SIZE GED5008

▶ PRODUCT SPECIFICATIONS

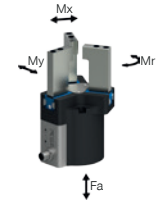


▶ Gripping force diagram



▶ Forces and moments

Displays static forces and moments that can also have an effect, besides the gripping force.



Mr [Nm]	60
Mx [Nm]	105
My [Nm]	65
Fa [N]	1900

▶ TECHNICAL DATA - BASIC VERSION

▶ Technical Data	
Order no.	GED5008N
Stroke per jaw [mm]	8
Control time [s]	0.035
Weight per jaw max. [kg]	0.7
Length of the gripper fingers max. [mm]*	125
Repetition accuracy +/- [mm]	0.01
Voltage [V]	24
Current consumption max. [A]	5
Operating temperature min. [°C]	5
Operating temperature max. [°C]	50
Protection to IEC 60529	IP64
Weight [kg]	1.66

*Depending on speed level selected

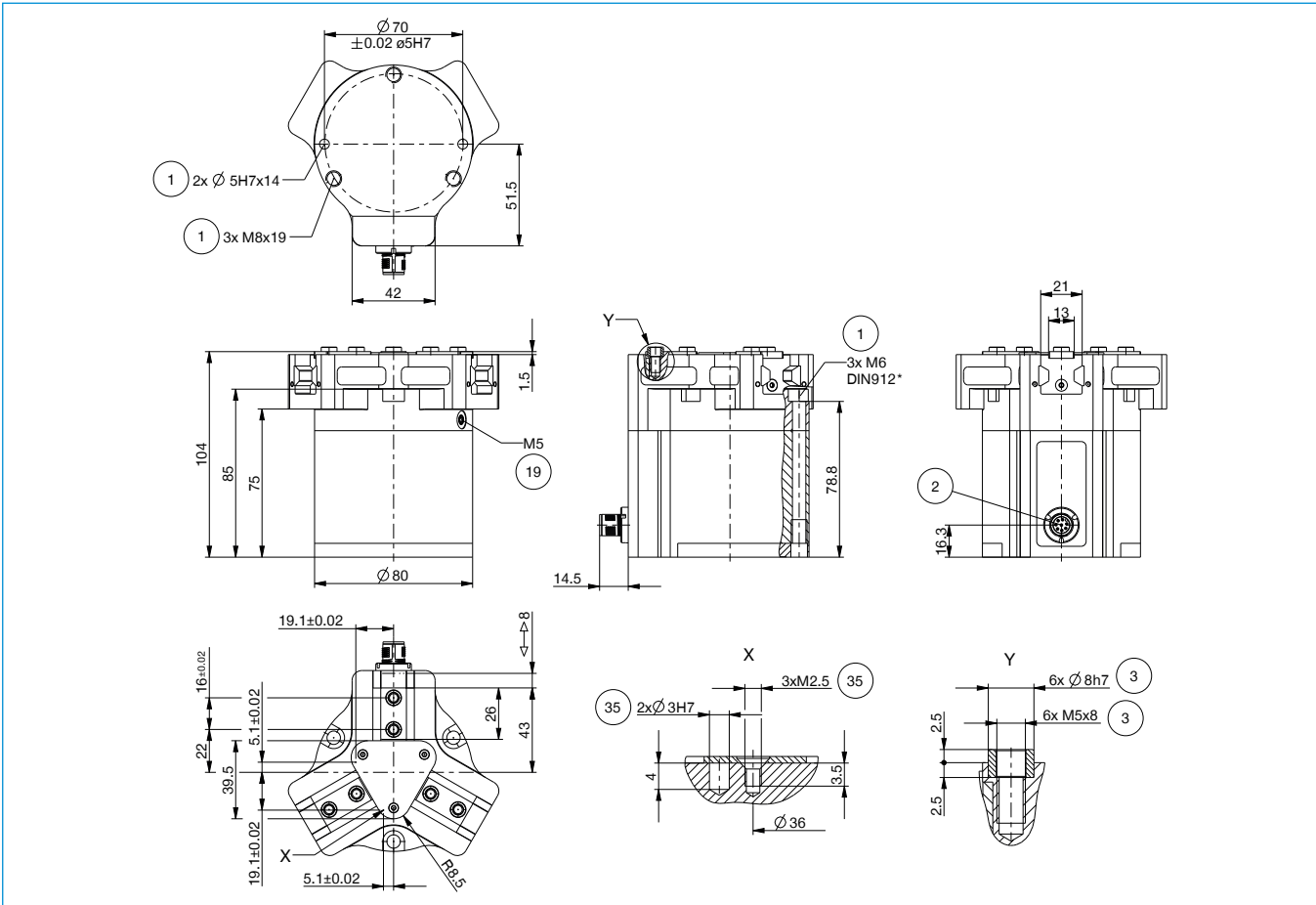
▶ TECHNICAL DATA - MODES

▶ Technical data - N mode	
Order no.	GED5008N
Gripping force → ← min. / max. [N]	800 / 1450
Gripping force ↔ min. / max. [N]	800 / 1450
Travel time → ← min. / max. [s]	0,18 / 0,29
Travel time ↔ min. / max. [s]	0,18 / 0,29

▶ Technical data - NC mode	
Order no.	GED5008N
Gripping force → ← min. / max. [N]	800 / 1450
Gripping force ↔ min. / max. [N]	-
Travel time → ← min. / max. [s]	0,18 / 0,29
Travel time ↔ min. / max. [s]	0,15

▶ Technical data - NO mode	
Order no.	GED5008N
Gripping force → ← min. / max. [N]	-
Gripping force ↔ min. / max. [N]	800 / 1450
Travel time → ← min. / max. [s]	0,15
Travel time ↔ min. / max. [s]	0,18 / 0,29

TECHNICAL DRAWINGS



① Gripper attachment

② Energy supply

③ Fixing for gripper finger

⑱ Air purge connection option

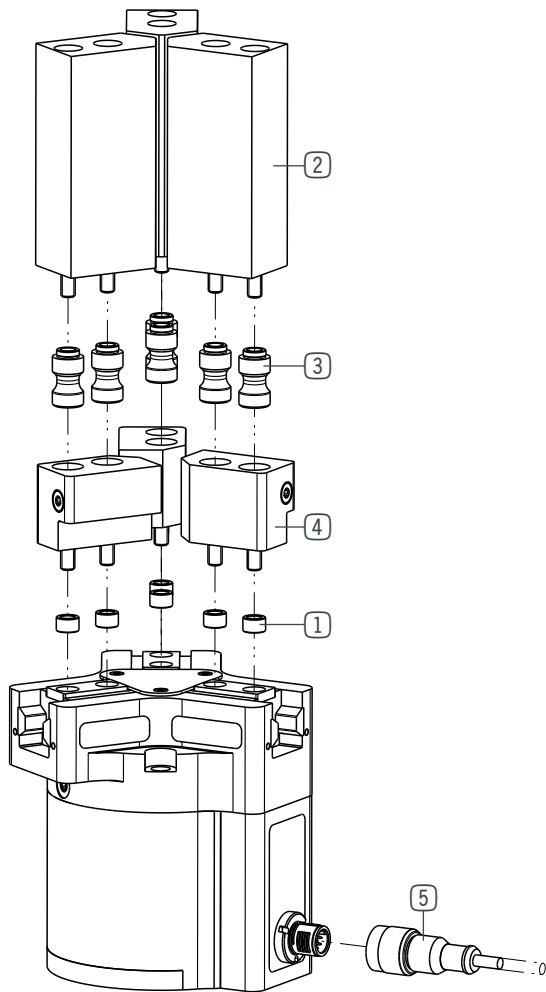
⑳ Attachment option for customer-specific fittings

3-JAW CONCENTRIC GRIPPERS

INSTALLATION SIZE GED5008

1

Installation size GED5008 / 3-Jaw Concentric Grippers / electric / Grippers



▶ INCLUDED IN DELIVERY



Centering Disc

024231

► RECOMMENDED ACCESSORIES



Universal jaw aluminium

UB5008AL



Universal jaw steel

UB5008ST



Pressure piece

ADS5008-05



Changeable jaw, loose-part-set

WB5008L



Changeable jaw, fix-part

WB5008F



Plug-in Connector Angled Cable 10 m - Female M12

KAW1000B8

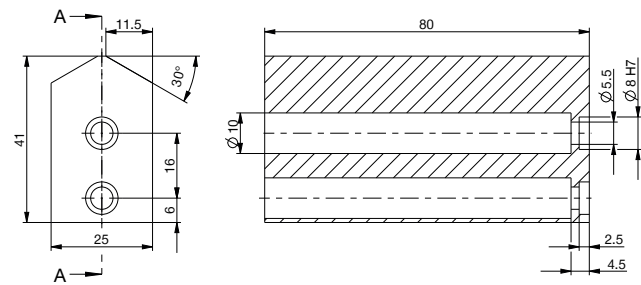


Plug-in Connector Straight Cable 10 m - Female M12

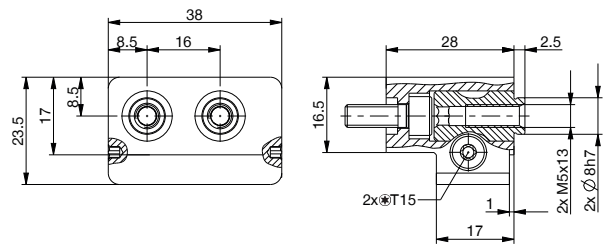
KAG1000B8

► TECHNICAL DRAWINGS ACCESSORIES

One universal jaw is required for each gripper jaw **2**



For each gripper jaw, one interchangeable jaw loose part set **3** and one interchangeable jaw fixed part **4** are needed



Gripper is fastened via the [pressure piece](#)

