

Highlights



Drive

single effect rubber membrane

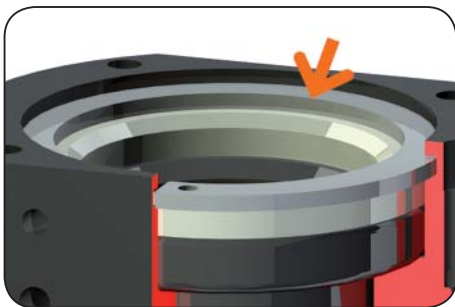
- Low steering effort
- Only one pneumatic line required
- Automatic return when venting



Gripping of cylindrical workpieces

For workpiece diameters up to 58 mm

- Membrane closes in a star shape at 3 points
- No metallic contact



Force transfer

Via rubber membrane

- Direct
- Low loss
- Optimum friction value



Energy feed

Flexibility possible on several sides

- Hoseless direct connection possible (no additional interference contours)



Terms

Closing-/opening time:	time required by rubber membrane to travel the entire stroke distance
Repeatability:	dispersion of stop positions at 50/100 consecutive cycles/strokes
Cycle:	distance covered by the membrane in one open and close movement
Maintenance:	maintenance free (please see the owner's manual for conditions, download from www.sommer-automatic.com)

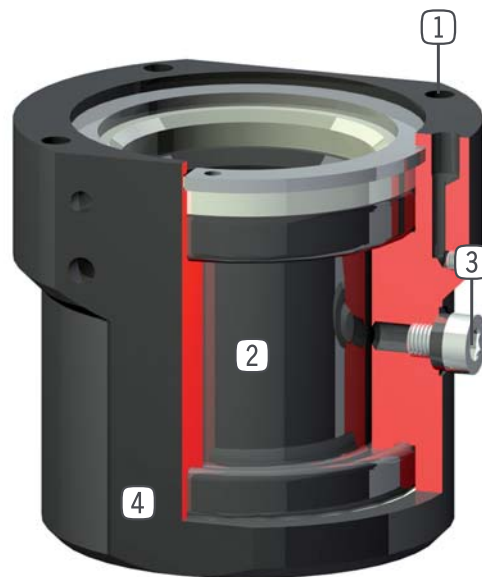
Design

1 Fixing and positioning

-

4 Robust, lightweight housing

- hard, coated aluminium alloy



2 Drive

- direct via rubber membrane

3 Energy feed

- possible from several sides

Grippers for Specific Tasks: Exterior Grippers



Picture shows RG0-30

Included with purchase

Recommended accessories

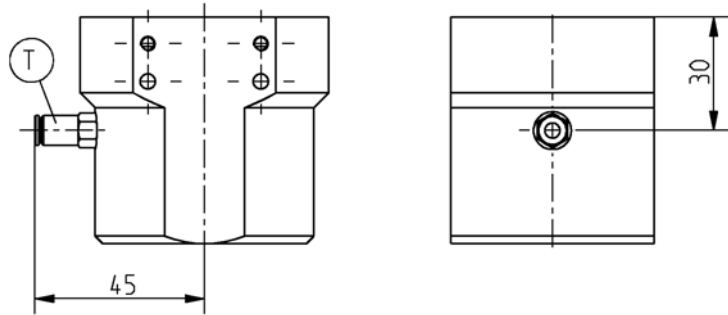


Pneumatic fittings
Order no.: **GVM5**



Pneumatic fittings
Order no.: **WVM5**

Accessory

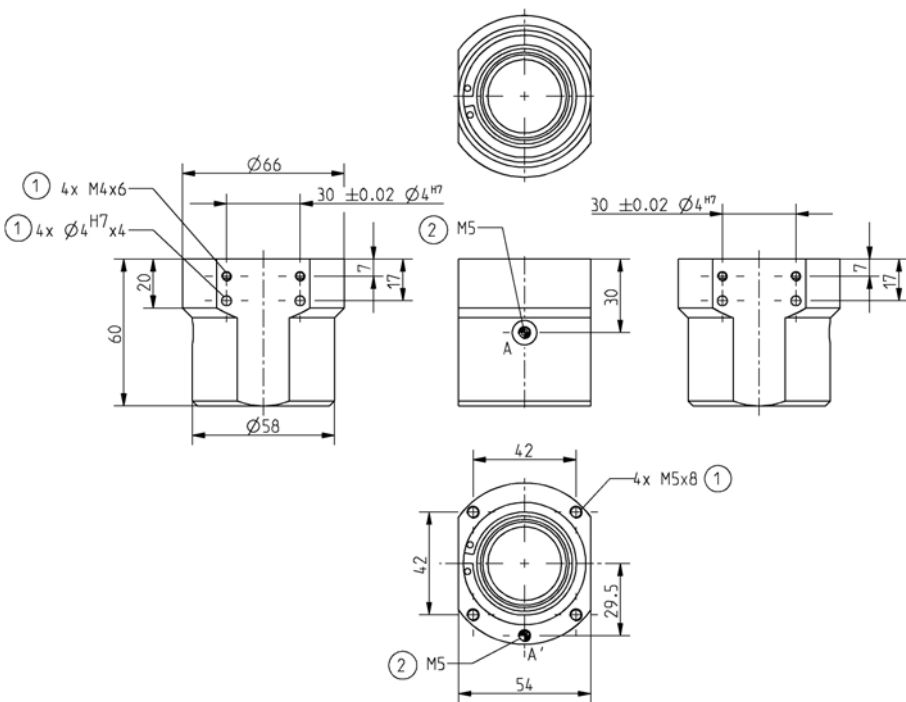


Subject to change without prior notice

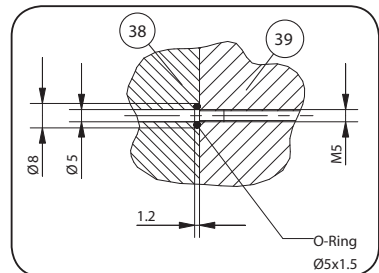
Order no.:	RG0-30
Gripping moment in closing [Nm]:	0
Stroke per jaw [°]:	28
Gripping force in closing [N]:	350
Closing time / opening time [s]:	0,1
Operating pressure min. [bar]:	1
Operating pressure max. [bar]:	3
Operating temperature [°C]*:	5-80
Air volume per cycle [cm³]:	5
Weight [kg]:	0,278

All data measured at 3 bar
 * High-temperature-resistant model (up to 150°) add T to part number

- ① Gripper mounting
- ② Energy supply
- ⊗ Adaptor
- ⊗ Gripper
- Ⓐ Air connection (closing)
- Ⓐ Alternate air connection (closing)



*equivalent to DIN EN ISO 4762



Hoseless air connection

Grippers for Specific Tasks: Exterior Grippers



Picture shows RG10-60

Included with purchase

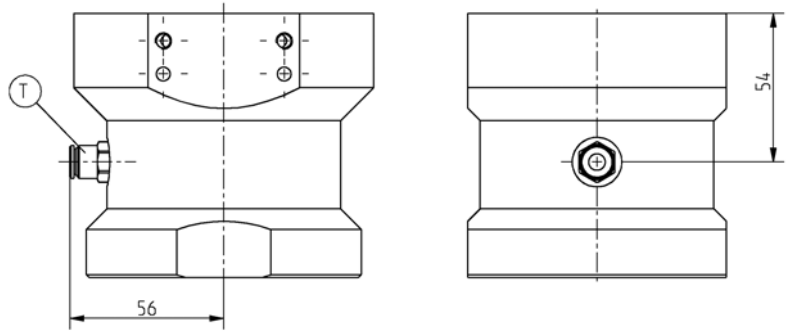
Recommended accessories



Pneumatic fittings
Order no.: **GV1/8X4**



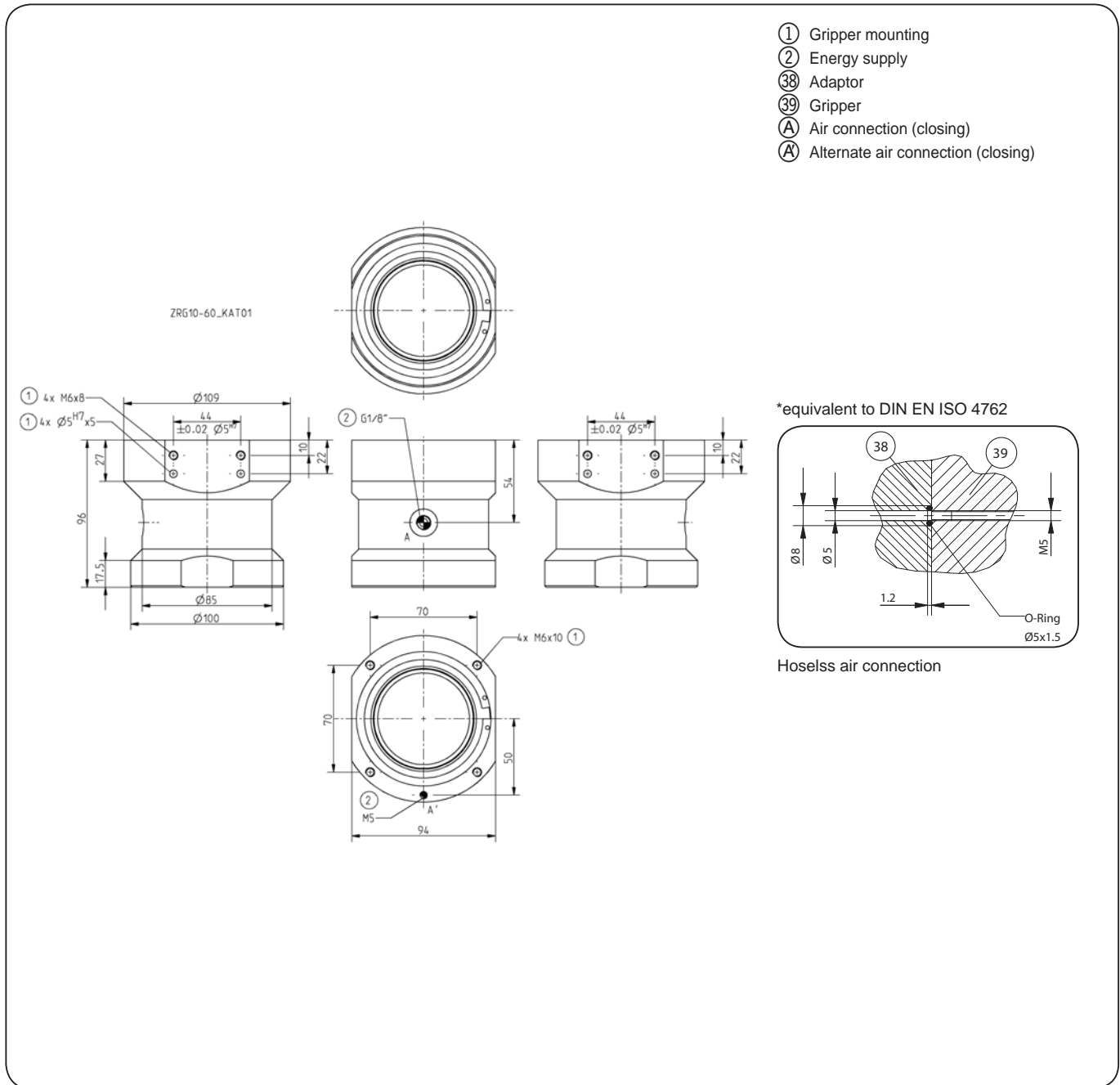
Accessory



Subject to change without prior notice

Order no.:	RG10-60
Gripping moment in closing [Nm]:	10
Stroke per jaw [°]:	58
Gripping force in closing [N]:	1.000
Closing time / opening time [s]:	0,1
Operating pressure min. [bar]:	1
Operating pressure max. [bar]:	3
Operating temperature [°C]*:	5-80
Air volume per cycle [cm³]:	33
Weight [kg]:	0,845

All data measured at 3 bar
 * High-temperature-resistant model (up to 150°) add T to part number



Subject to change without prior notice