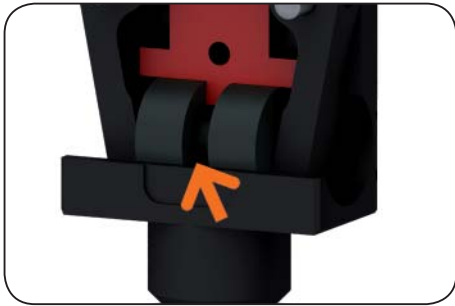


2-Jaw Angular Grippers

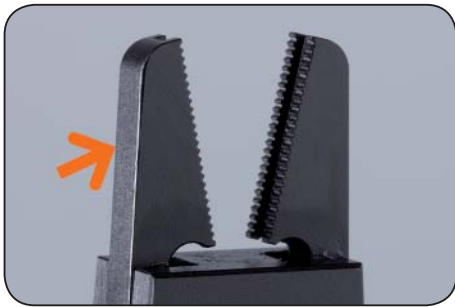
Highlights



Drive

single-acting pneumatic cylinder

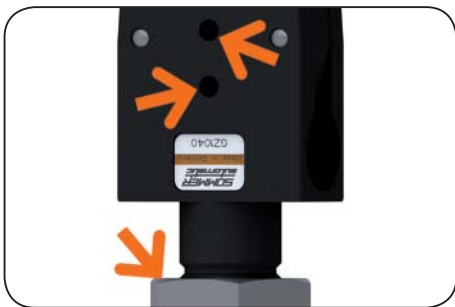
- low input signal
- retraction via spring



Gripper jaws

available in different versions

- saw tooth jaws without monitoring
- saw tooth jaws with monitoring
- neutral design to fix customer specific gripper jaws



Machine connexion

flexible mounting possibilities

- via fit, thread and lock nut
- via thread / through-hole at housing
- via clamping to be linked to well-established system modules



Position sensing

possible via inductive proximity switches

- for direct detection "part available"



Terms

Gripping force:	arithmetic sum of the individual forces occurring at the jaws
Closing/opening time:	required time for the gripper jaws to cover the maximum stroke distance
Cycle:	one complete movement of the piston forward and back
Maintenance:	maintenance free to 2 Mio. cycles (please see the owner's manual for details, download at www.sommer-automatic.com) - long maintenance intervals keep costs down - long durability

Design

- ① **Gripper Jaws**
- available in different versions

- ② **Position sensing**
- via inductive proximity switch

- ⑤ **Drive**
- single-acting pneumatic cylinder

- ⑥ **Housing**
- hard coated surface for increased durability



- ③ **Return spring**
- to open the gripper jaws

- ④ **Fixing and positioning**
- via thread / through-hole

- ⑦ **Fixing and positioning**
- via fit, thread and lock nut

- ⑧ **Energy supply**

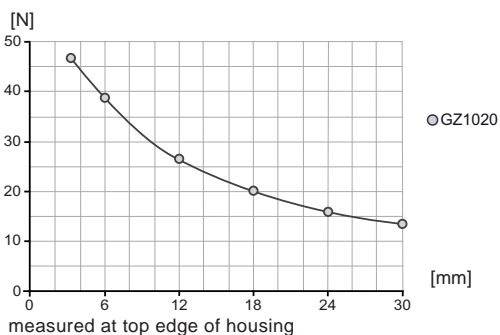
2-Jaw Angular Grippers



Picture shows GZ1020-01

Gripping force diagram

Gripping force as a function of jaw length.



Forces and Moments

Max. allowable forces and moments on jaws.



Mr [Nm]:	1
My [Nm]:	0.6
Fa [N]:	60

Included with purchase



Order no.: **C093610009**



Jaw with sensing
(only at 1020-02)

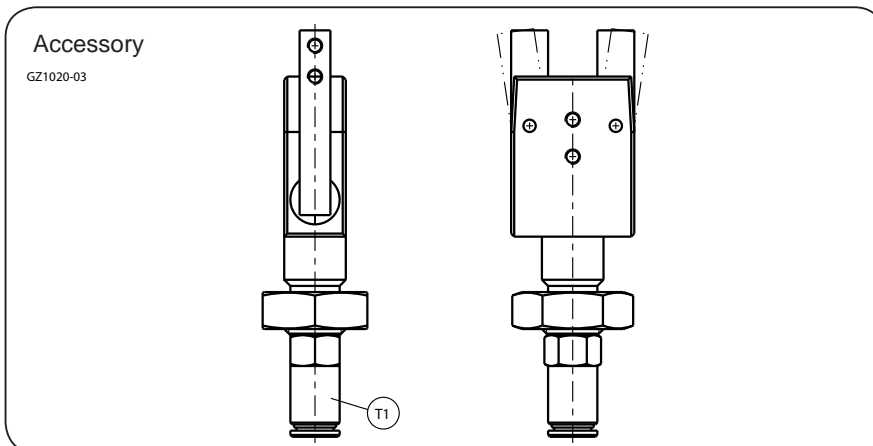
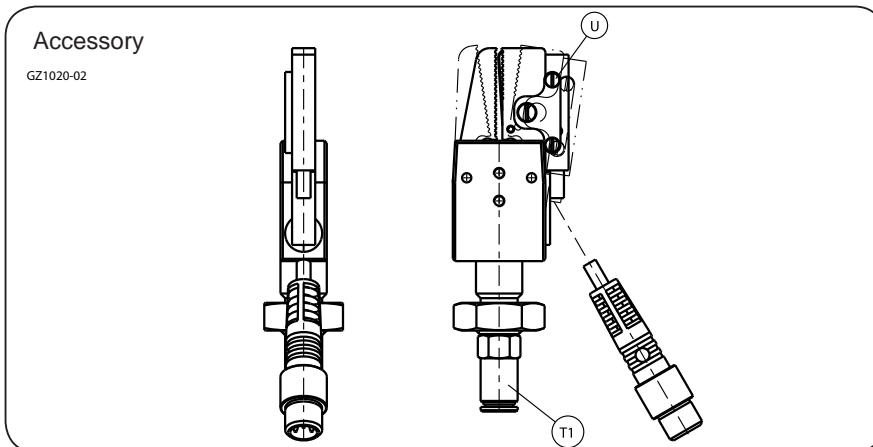
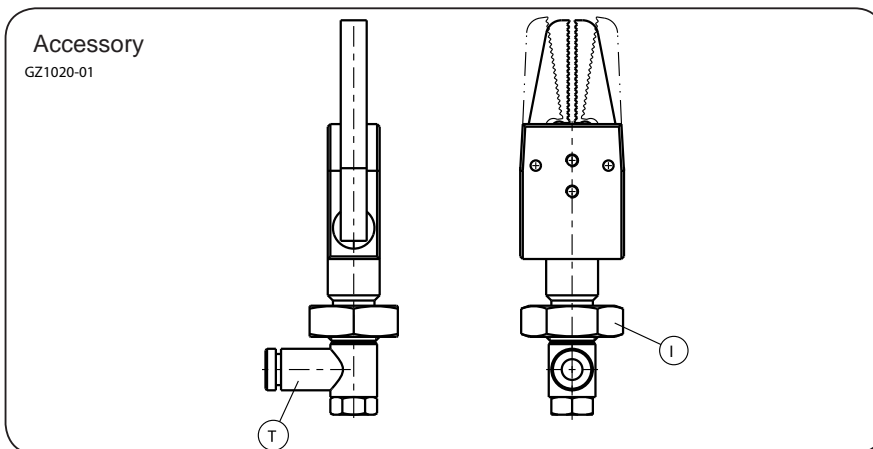
Recommended accessories



Pneumatic fittings
Order no.: **GVM5**



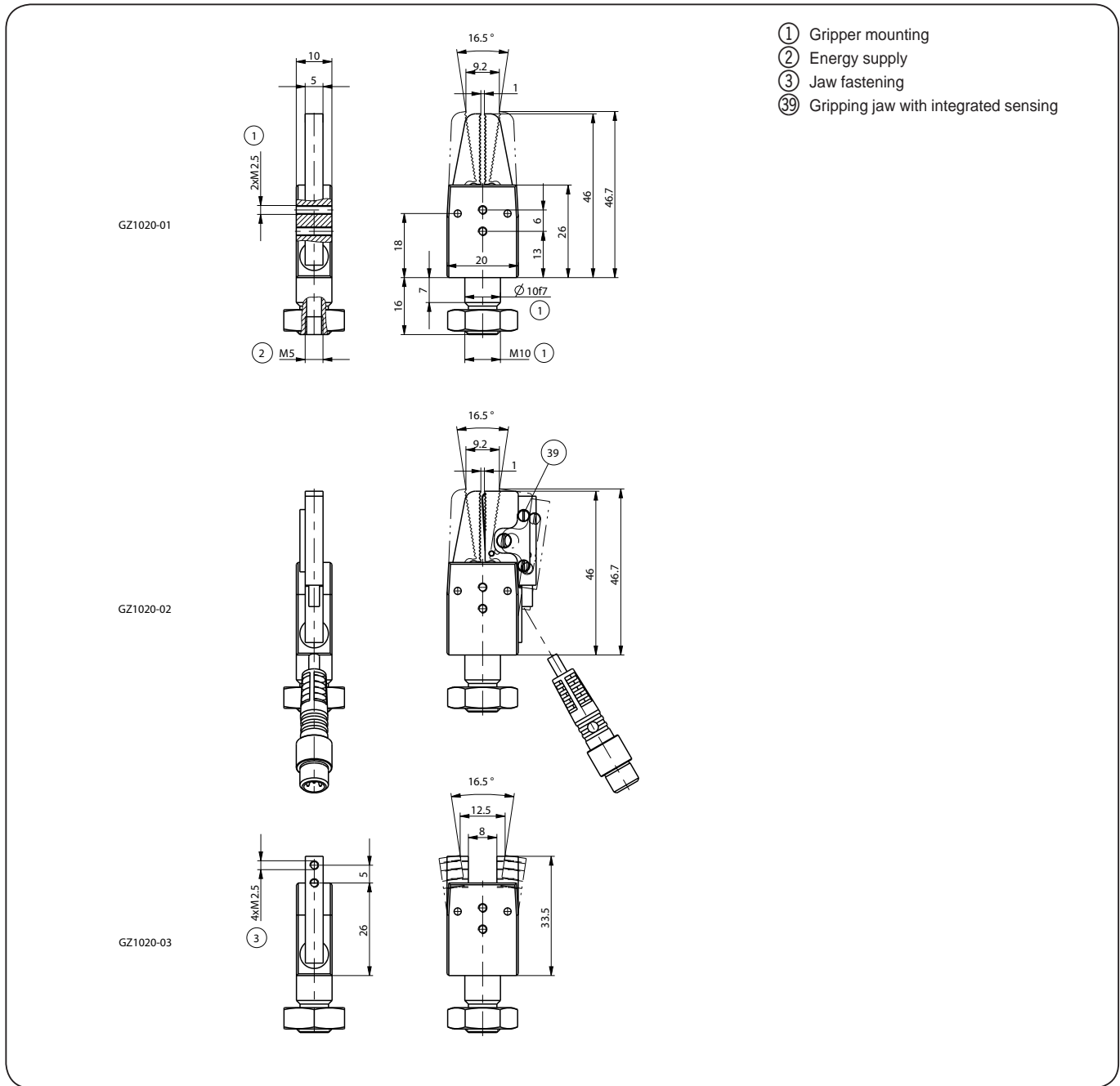
Pneumatic fittings
Order no.: **WVM5**



Subject to change without prior notice

Order no.:	GZ1020-01	GZ1020-02	GZ1020-03
Stroke per jaw [°]:	8	8	8
Closing moment [Nm]:	0.5	0.5	0.5
Closing time / opening time [s]:	0.01 / 0.02	0.01 / 0.02	0.01 / 0.02
Operating pressure min. [bar]:	2	2	2
Operating pressure max. [bar]:	6	6	6
Operating temperature [°C]:	5-80	5-80	5-80
Air volume per cycle [cm³]:	0.25	0.25	0.25
Weight [g]:	17	17	17

All data measured at 6 bar



Subject to change without prior notice

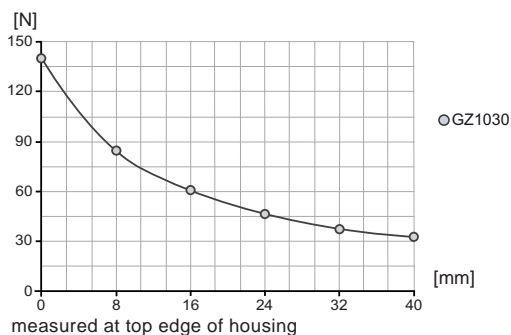
2-Jaw Angular Grippers



Picture shows GZ1030-01

Gripping force diagram

Gripping force as a function of jaw length.



Forces and Moments

Max. allowable forces and moments on jaws.



Mr [Nm]:	1.5
My [Nm]:	1
Fa [N]:	110

Included with purchase



Order no.: **C093614159**



Jaw with sensing
(only at 1030-02)

Recommended accessories



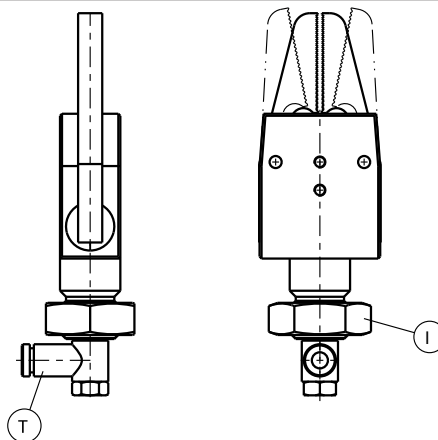
Pneumatic fittings
Order no.: **GVM5**



Pneumatic fittings
Order no.: **WVM5**

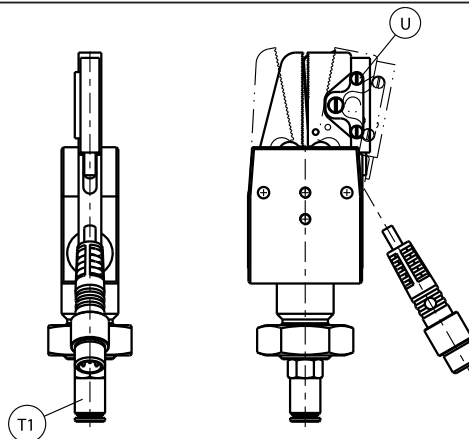
Accessory

GZ1030-01



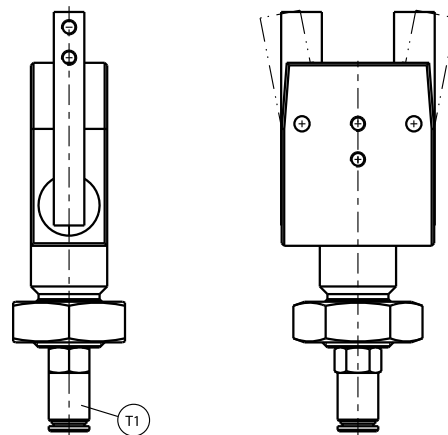
Accessory

GZ1030-02



Accessory

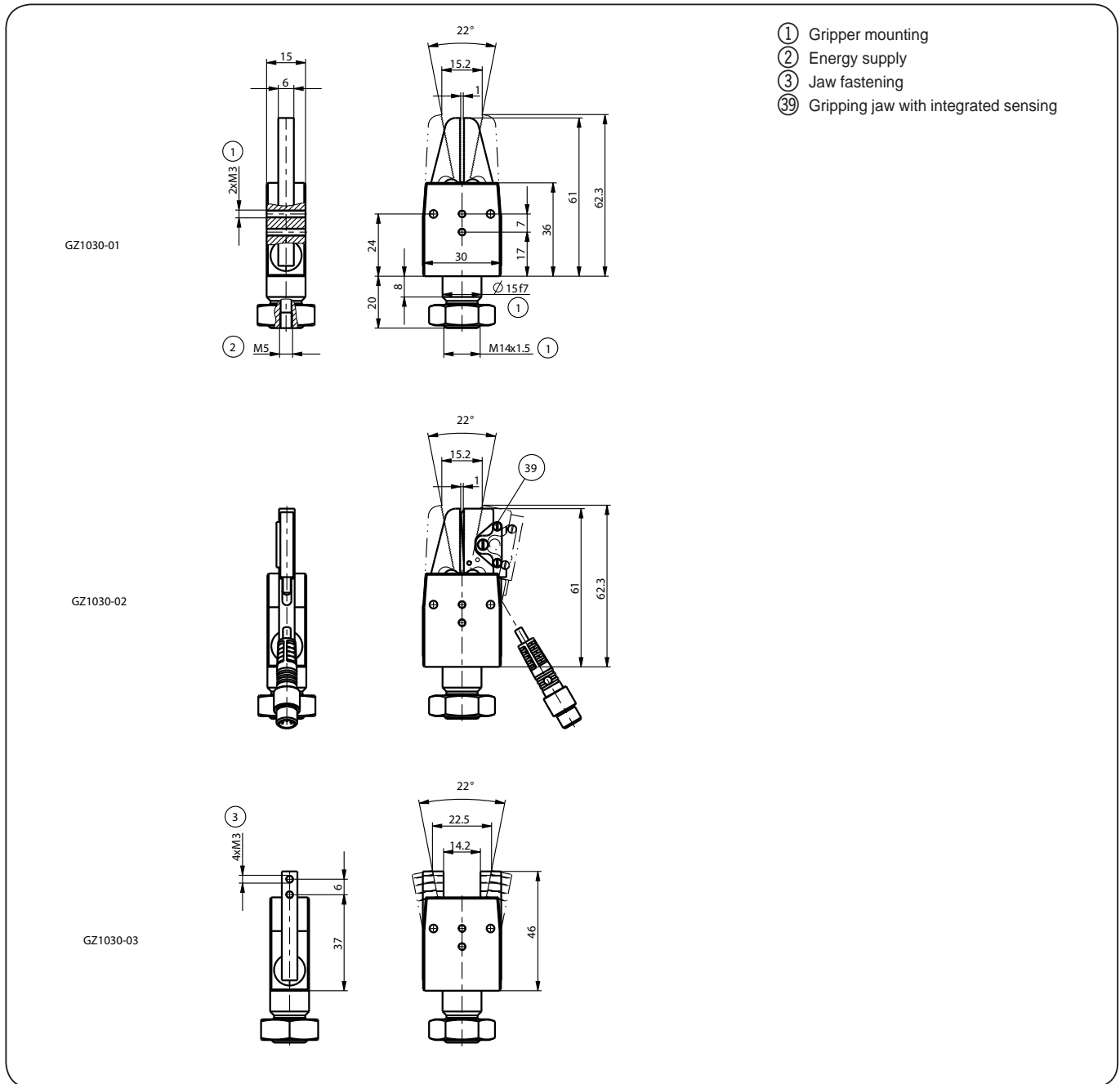
GZ1030-03



Subject to change without prior notice

Order no.:	GZ1030-01	GZ1030-02	GZ1030-03
Stroke per jaw [°]:	11	11	11
Closing moment [Nm]:	1.6	1.6	1.6
Closing time / opening time [s]:	0.02 / 0.03	0.02 / 0.03	0.02 / 0.03
Operating pressure min. [bar]:	2	2	2
Operating pressure max. [bar]:	6	6	6
Operating temperature [°C]:	5-80	5-80	5-80
Air volume per cycle [cm³]:	0.9	0.9	0.9
Weight [g]:	53	53	53

All data measured at 6 bar



Subject to change without prior notice

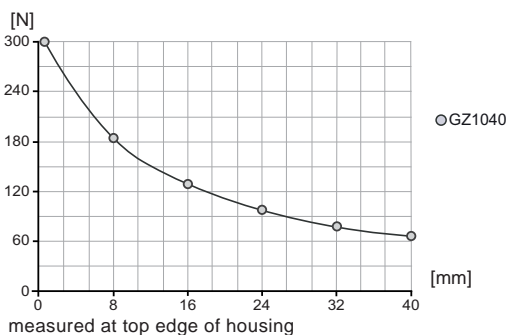
2-Jaw Angular Grippers



Picture shows GZ1040-01

Gripping force diagram

Gripping force as a function of jaw length.



Forces and Moments

Max. allowable forces and moments on jaws.



Mr [Nm]:	2.5
My [Nm]:	2
Fa [N]:	200

Included with purchase



Order no.: **C093620159**



Jaw with sensing
(only at 1040-02)

Recommended accessories



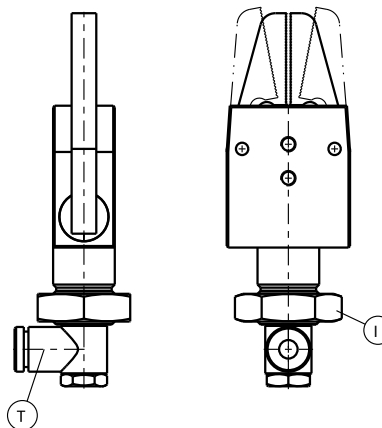
Pneumatic fittings
Order no.: **GV1/8X6**



Pneumatic fittings
Order no.: **WV1/8X6**

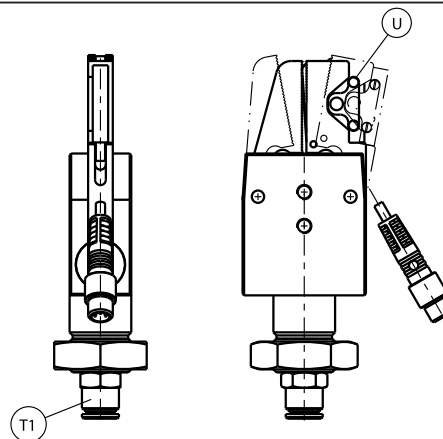
Accessory

GZ1040-01



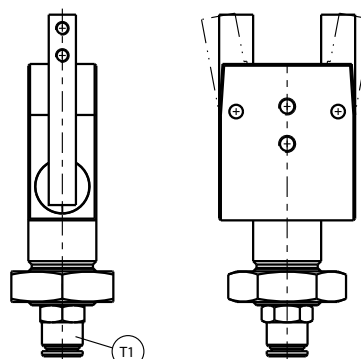
Accessory

GZ1040-02



Accessory

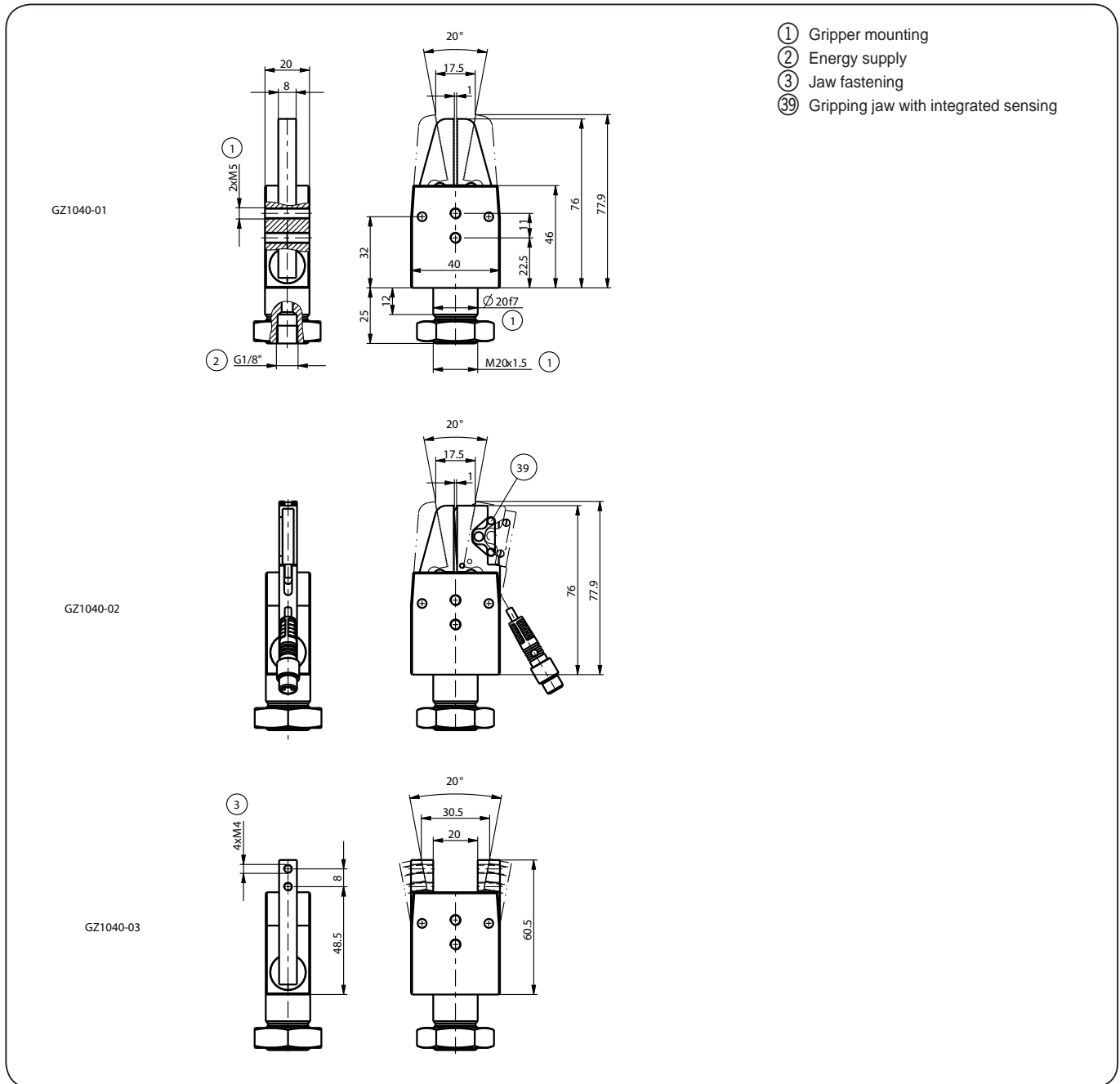
GZ1040-03



Subject to change without prior notice

Order no.:	GZ1040-01	GZ1040-02	GZ1040-03
Stroke per jaw [°]:	10	10	10
Closing moment [Nm]:	4.4	4.4	4.4
Closing time / opening time [s]:	0.02 / 0.04	0.02 / 0.04	0.02 / 0.04
Operating pressure min. [bar]:	2	2	2
Operating pressure max. [bar]:	6	6	6
Operating temperature [°C]:	5-80	5-80	5-80
Air volume per cycle [cm³]:	2	2	2
Weight [g]:	105	105	105

All data measured at 6 bar



Subject to change without prior notice