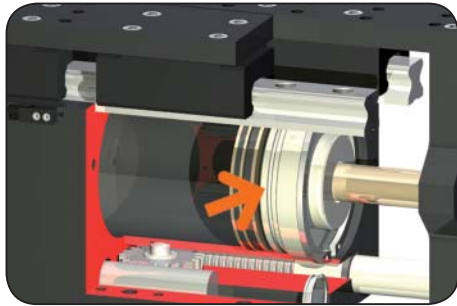


2-Jaw Parallel Grippers with Long Stroke

Highlights



Drive

Two double acting pneumatic cylinders

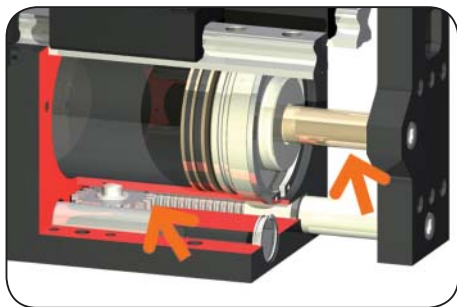
- maximum power of both opening and closing
- high gripping force up to 8500 N



Guidance

Heavy load linear guide

- ideal for highest transverse forces and moment intake
- 2 x 2 carriage with wipers
- for use under extreme conditions



Power transfer

Direct drive synchronized via gearwheel

- optimum transmission of power to gripping force
- self-centering
- synchronized
- high repeatability



Alternative position sensing

Bracket for inductive proximity switch, up to 12 mm diameter, as accessory available

- process safe due to direct gripper jaw position sensing
- compact design

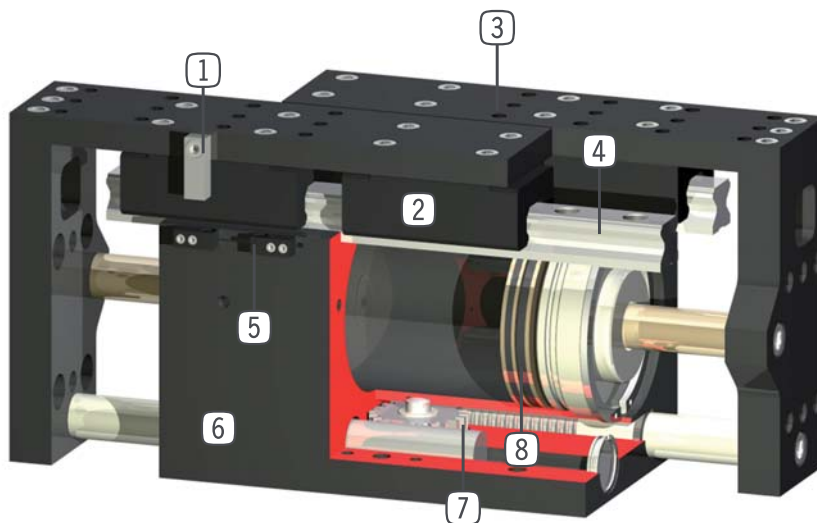


Terms

Gripping force:	arithmetic sum of the individual forces occurring at the jaws
Closing/opening time:	required time for the gripper jaws to cover the maximum stroke distance
Repeatability:	dispersion at end stop positions during 50/100 consecutive cycles
Cycle:	one complete movement of the piston forward and back
Maintenance:	<p>maintenance free to 10 mil. cycles</p> <p>(please see the owner's manual for details, download at www.sommer-automatic.com)</p> <ul style="list-style-type: none"> - long maintenance intervals keep costs down - long durability

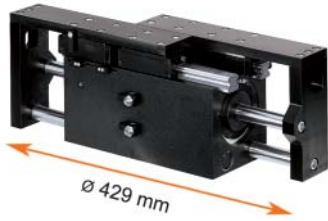
Design

- | | |
|--|---|
| <p>① Switch cam</p> <ul style="list-style-type: none"> - for position sensing | <p>⑤ Mounting block adjustable</p> <ul style="list-style-type: none"> - mounting for inductive proximity switch |
| <p>② Carriage with wiper</p> <ul style="list-style-type: none"> - for use under extreme conditions | <p>⑥ Robust, lightweight housing</p> <ul style="list-style-type: none"> - hard coated anodized aluminium alloy |



- | | |
|---|---|
| <p>③ Gripper jaw</p> <ul style="list-style-type: none"> - hardened steel - individual gripper finger mounting | <p>⑦ Synchronization</p> <ul style="list-style-type: none"> - via rack and pinion |
| <p>④ Precise linear guide</p> <ul style="list-style-type: none"> - ideal for highest transverse forces and loads - double secured against twisting | <p>⑧ Drive</p> <ul style="list-style-type: none"> - two double-acting pneumatic cylinders |

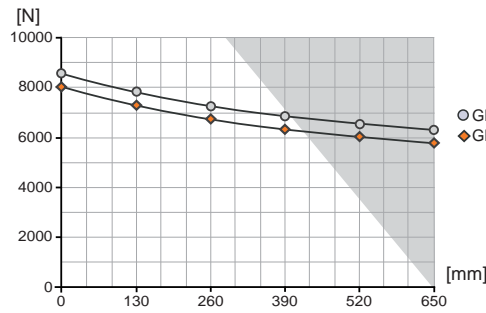
2-Jaw Parallel Grippers with Long Stroke



Picture shows GH7665

Gripping force diagram

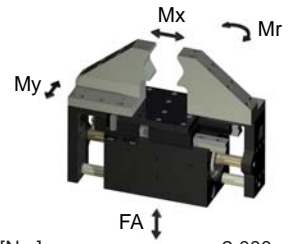
Gripping force as a function of jaw length.



Colored area: increased wear and tear to be expected

Forces and Moments

Max. allowable forces and moments on jaws.



Mr [Nm]:	2.000
Mx [Nm]:	2.000
My [Nm]:	1.500
Fa [N]:	4.000

Included with purchase



Mounting block
Order no.: **KB8-28**



Pneumatic fittings
Order no.: **DRV1/4X8**

Recommended accessories



Proximity switch
Order no.: **NJ8-E2S**



Proximity switch
Order no.: **NJ8-E2**



Alternate proximity bracket
Order no.: **KHA7665-8**



Cable straight plug
Order no.: **KAG500**

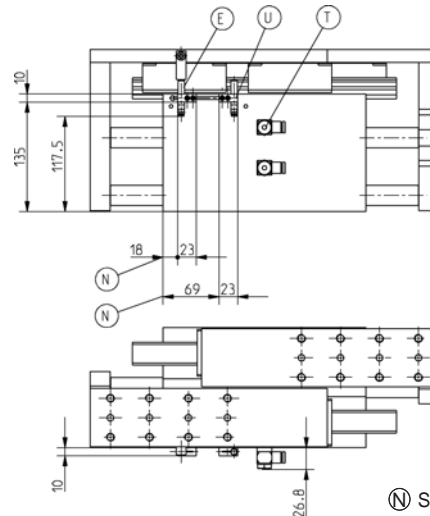


Plug 3-pole
Order no.: **S12-G-3**



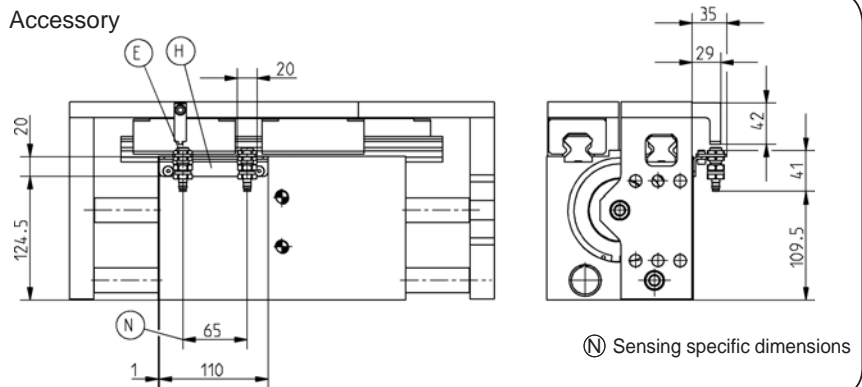
Pressure safety valve
Order no.: **DSV1/8**

Accessory



(N) Sensing specific dimensions

Accessory

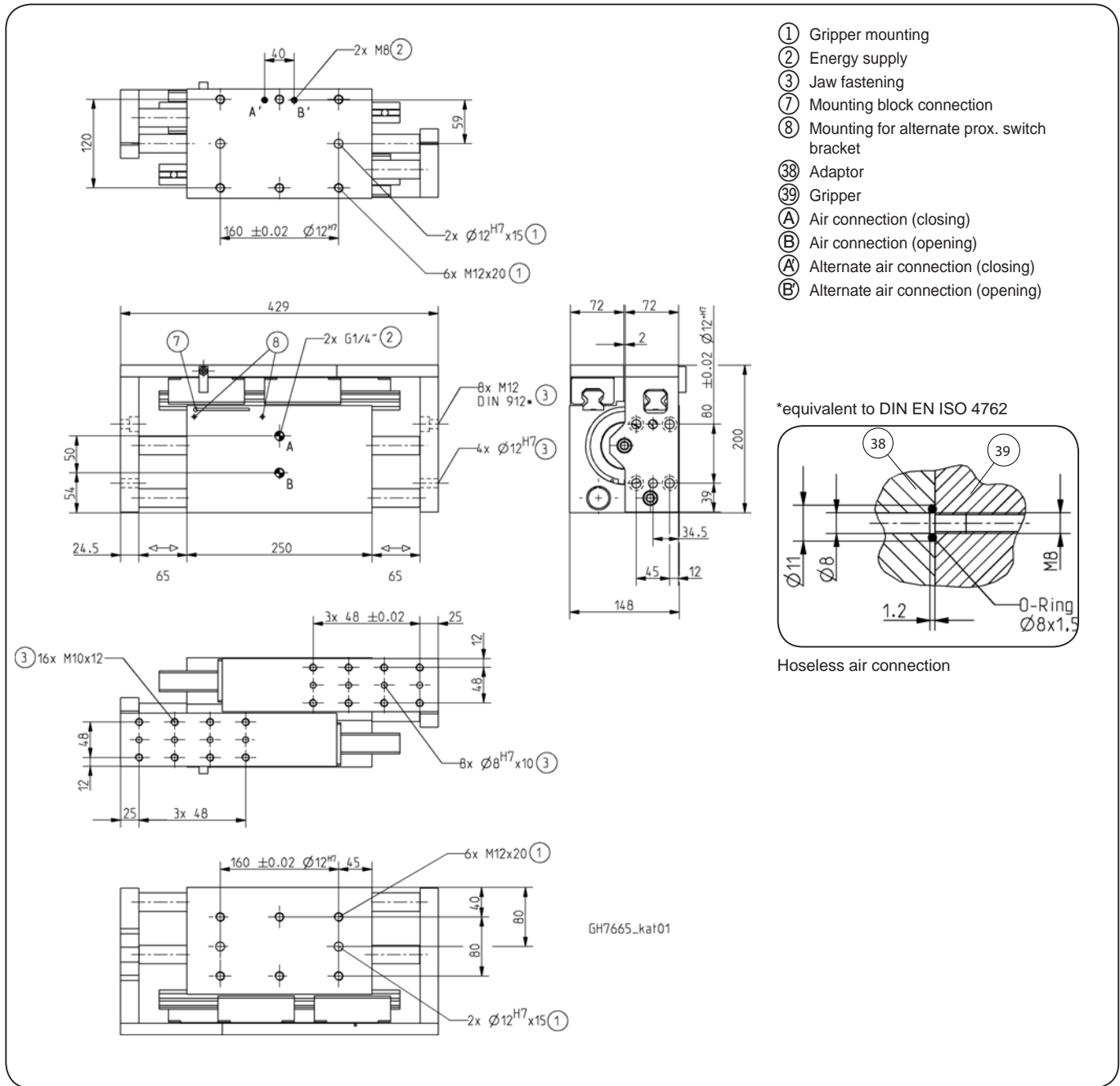


(N) Sensing specific dimensions

Subject to change without prior notice

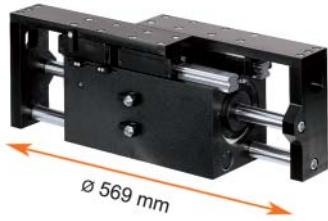
Order no.:	GH7665
Stroke per Jaw [mm]:	65
Gripping force in opening [N]:	8.500
Gripping force in closing [N]:	8.000
Closing time/opening time [s]:	1,1
Repeatability +/- [mm]:	0,05
Operating pressure min. [bar]:	3
Operating pressure max. [bar]:	8
Operating temperature min./max. [°C]*:	5-80
Air volume per cycle [cm³]:	1.985
Weight [kg]::	31,000

All data measured at 6 bar
 * High-temperature-resistant model (up to 150°C) add T to part number



Subject to change without prior notice

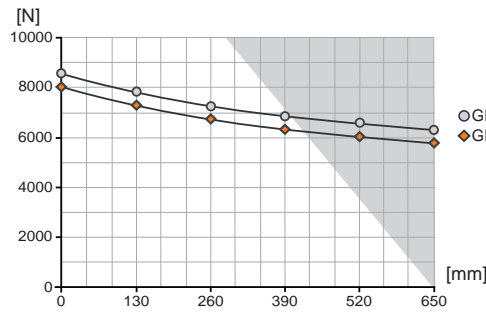
2-Jaw Parallel Grippers with Long Stroke



Picture shows GH76100

Gripping force diagram

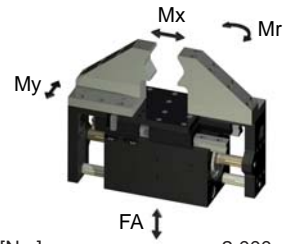
Gripping force as a function of jaw length.



Colored area: increased wear and tear to be expected

Forces and Moments

Max. allowable forces and moments on jaws.



Mr [Nm]:	2.000
Mx [Nm]:	2.000
My [Nm]:	1.500
Fa [N]:	4.000

Included with purchase



Mounting block
Order no.: **KB8-28**



Pneumatic fittings
Order no.: **DRV1/4X8**

Recommended accessories



Proximity switch
Order no.: **NJ8-E2S**



Proximity switch
Order no.: **NJ8-E2**



Alternate proximity bracket
Order no.: **KHA63150-B-8**



Cable straight plug
Order no.: **KAG500**

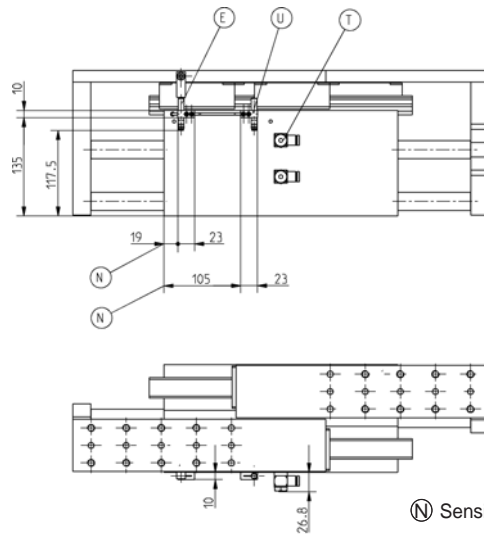


Plug 3-pole
Order no.: **S12-G-3**



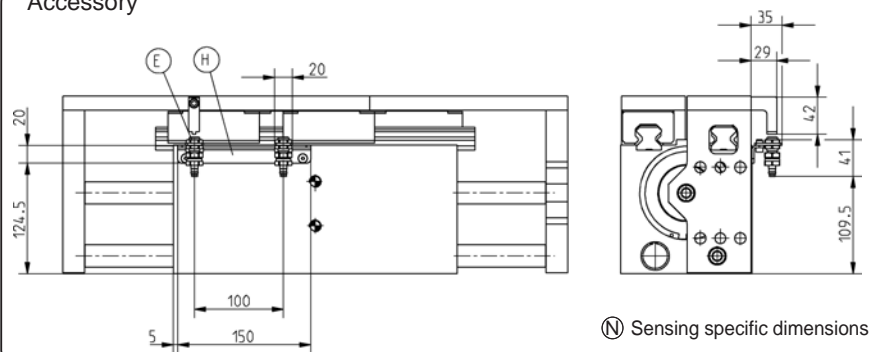
Pressure safety valve
Order no.: **DSV1/8**

Accessory



Sensing specific dimensions

Accessory



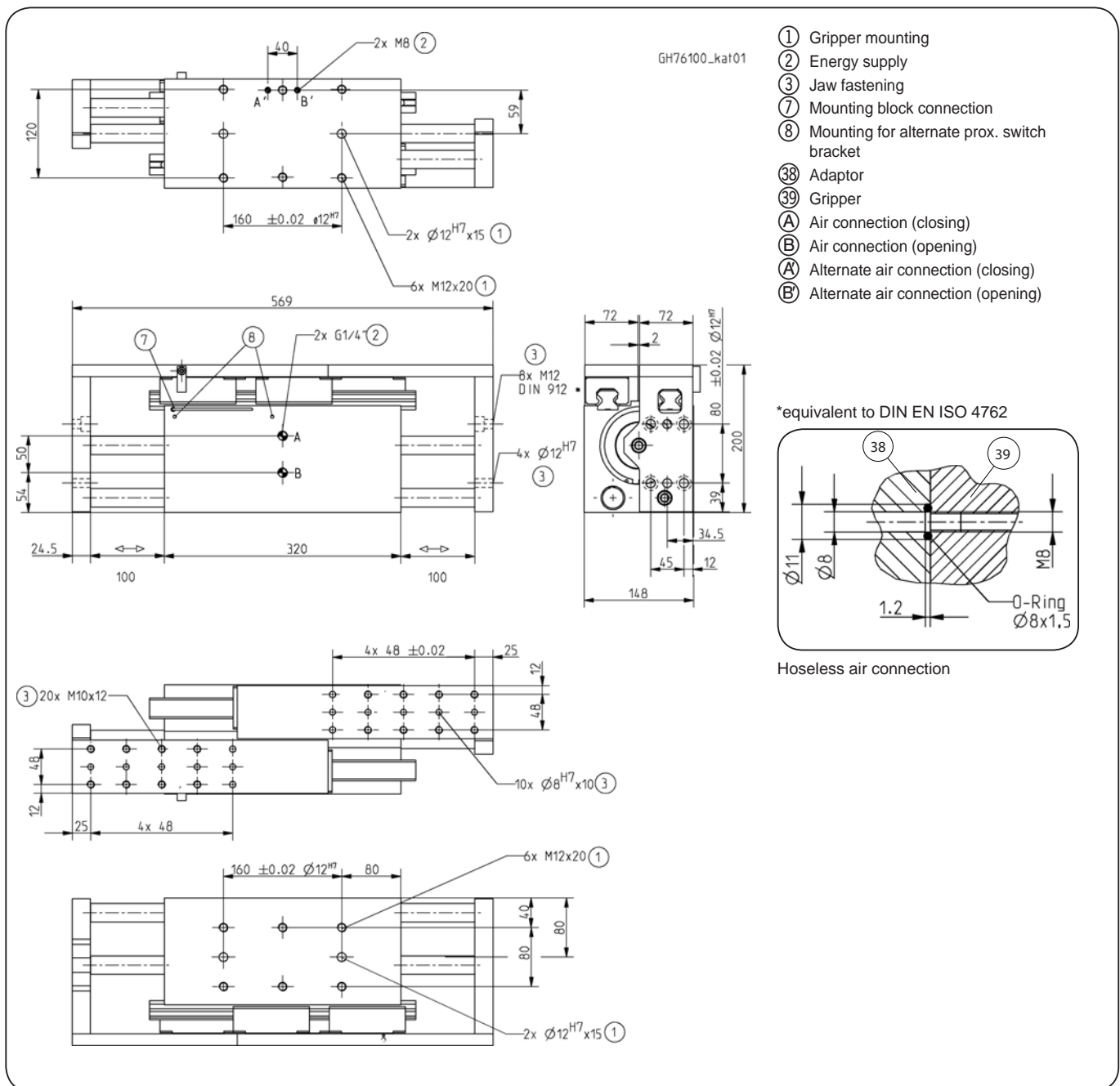
Sensing specific dimensions

Subject to change without prior notice

Order no.:	GH76100
Stroke per Jaw [mm]:	100
Gripping force in opening [N]:	8.500
Gripping force in closing [N]:	8.000
Closing time/opening time [s]:	1,5
Repeatability +/- [mm]:	0,05
Operating pressure min. [bar]:	3
Operating pressure max. [bar]:	8
Operating temperature min./max. [°C]*:	5-80
Air volume per cycle [cm³]:	3.040
Weight [kg]::	36,000

All data measured at 6 bar

* High-temperature-resistant model (up to 150°C) add T to part number



Subject to change without prior notice